



DESCRIPTION

The CT Leader range is designed for general purpose applications, such as UPS, alarm systems, telecom and technical utilities. With 10 years design life, the batteries comply to the international standards IEC896-2 and BS6290-4 Eurobat guide.

FEATURES

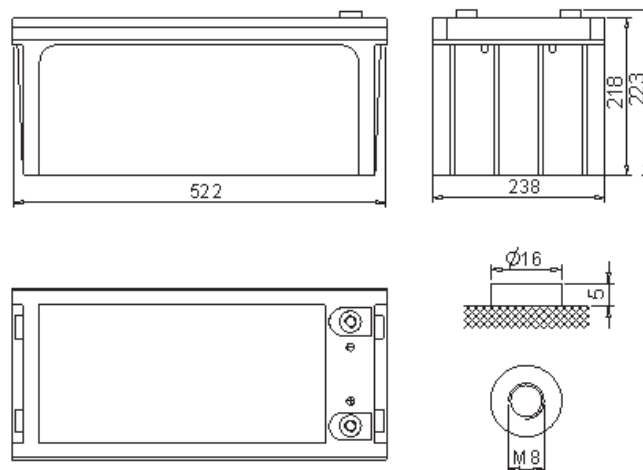
- Valve Regulated Lead Acid Batteries, [AGM].
- Positive and negative plates in lead-calcium alloy.
- Sealed construction
- Maintenance free operation
- 10 years design life according to Eurobat Guide - High Performance.
- Low pressure venting system
- Low selfdischarge
- U.L. component recognition
- Six month shelf life at +20° C

SPECIFICATIONS

Model	CT200-12
Nominal voltage	12 V
Number of cells	6
Nominal capacity +25° C	
20 hour rate (10 A - 10,5V)	200 Ah
10 hour rate (19,6 A - 10,5V)	196 Ah
5 hour rate (36,7 A - 10,5 V)	183,5 Ah
1 hour rate (138 A - 9,60V)	138 Ah
Internal resistance	3 mOhm
Self discharge	3% of capacity decline per month at +20° C
Operating temperature range	
Discharge	-20 to +60° C
Charge	-10 to +60° C
Storage	-20 to +60° C
Max discharge current (5 sec)	1000 A
Short circuit current	3500 A
Max. charge current	60 A
Charging methods at +20° C	
Cycle use	
Constant voltage charge	14,4 - 14,7 V
Temperature compensation	-30 mV/° C
Stand-by use	
Constant voltage charge	13,6 - 13,8 V
Temperature compensation	-20 mV/° C

DIMENSIONS AND WEIGHT

Length	522 mm
Width	238 mm
Height	218 mm
Total height	240 mm
Weight	65 kg



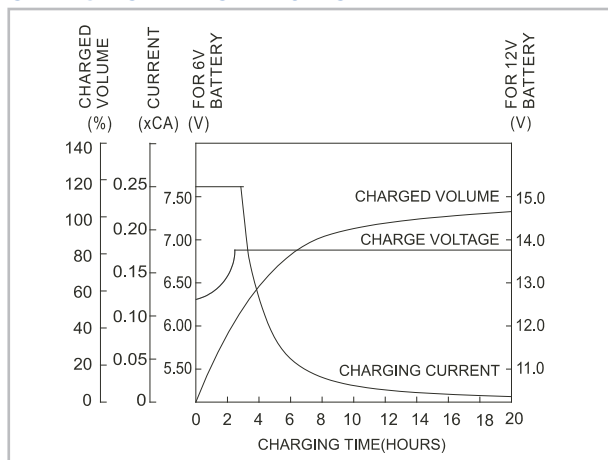
DISCHARGE DATA (AMPERES AT +25 °C)

End voltage (V/cell)	5 min	10 min	15 min	30 min	1 h	3 h	5 h	10 h	20 h
1,60	550	440	358	210	138	53,1	39,0	20,2	10,40
1,65	508	414	337	203	135	52,0	38,2	20,0	10,30
1,70	470	390	316	195	132	51,0	37,5	19,8	10,10
1,75	440	364	295	188	129	49,8	36,7	19,6	10,00
1,80	380	334	274	180	126	48,4	35,9	19,5	9,95

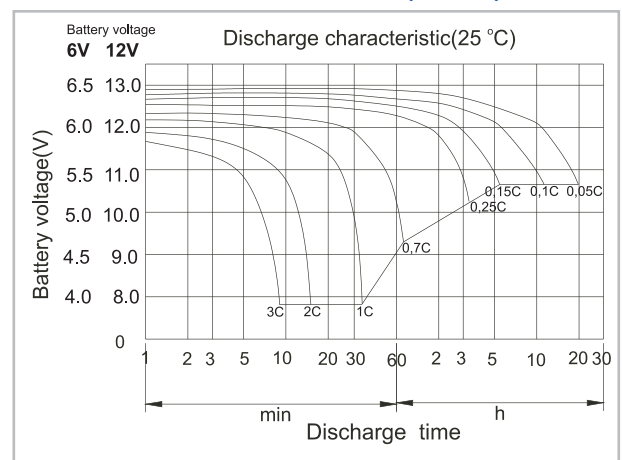
DISCHARGE DATA (WATTS PER CELL AT +25 °C)

End voltage (V/cell)	5 min	10 min	15 min	30 min	45 min	1 h	2 h	3 h	5 h
1,60	915	756	611	402	287	266	145	103	74,3
1,65	866	719	591	387	282	261	142	102	73,7
1,70	817	681	572	372	276	256	139	100	73,1
1,75	768	641	553	357	270	250	136	98,8	72,6
1,80	718	609	520	342	265	245	132	97,7	72,0

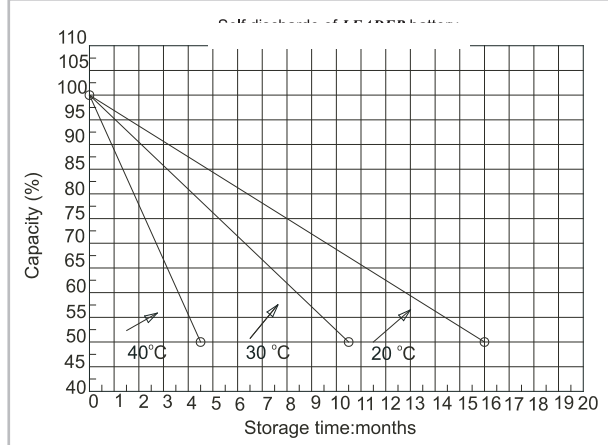
CHARGE CHARACTERISTIC



DISCHARGE CHARACTERISTIC (+25 °C)



SELF DISCHARGE



STATE OF CHARGE IN RELATION TO VOLTAGE

