



## DESCRIPTION

The CT Leader range is designed for general purpose applications, such as UPS, alarmsystem, telecom and technical utilities. The batteries comply to Eurobat guide Standard Commercial and have a design life of 3-5 years.

## FEATURES

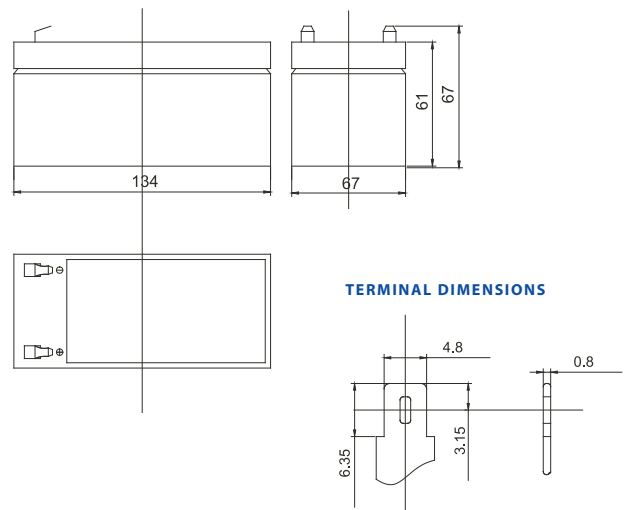
- Valve Regulated Lead Acid Batteries, [AGM].
- Positive and negative plates in lead-calcium alloy.
- Sealed construction
- Maintenance free operation
- 3-5 years design life according to Eurobat Guide - Standard commercial
- Low pressure venting system
- Low selfdischarge
- Six month shelf life at +20° C
- U.L. component recognition
- VdS approved

## SPECIFICATIONS

<b>Model</b>	CT3.2-12
<b>Nominal voltage</b>	12 V
<b>Number of cells</b>	6
<b>Nominal capacity +25° C</b>	
20 hour rate (0,16 A - 10,5V)	3,2 Ah
10 hour rate (0,31A - 10,5V)	3,1 Ah
5 hour rate (0,56 A - 10,5 V)	2,8 Ah
1 hour rate (2,08 A - 9,60V)	2,08 Ah
<b>Internal resistance</b>	45 mOhm
<b>Self discharge</b>	3% of capacity decline per month at +20° C
<b>Operating temperature range</b>	
Discharge	-20 to +60° C
Charge	-10 to +60° C
Storage	-20 to +60° C
<b>Max discharge current (5 sec)</b>	48 A
<b>Short circuit current</b>	160 A
<b>Max. charge current</b>	1,28 A
<b>Charging methods at +20° C</b>	
<b>Cycle use</b>	
Constant voltage charge	14,4 - 14,7 V
Temperature compensation	-30 mV/° C
<b>Stand-by use</b>	
Constant voltage charge	13,6 - 13,8 V
Temperature compensation	-20 mV/° C

## DIMENSIONS AND WEIGHT

<b>Length</b>	134 mm
<b>Width</b>	67 mm
<b>Height</b>	61 mm
<b>Total height</b>	67 mm
<b>Weight</b>	1,4 kg



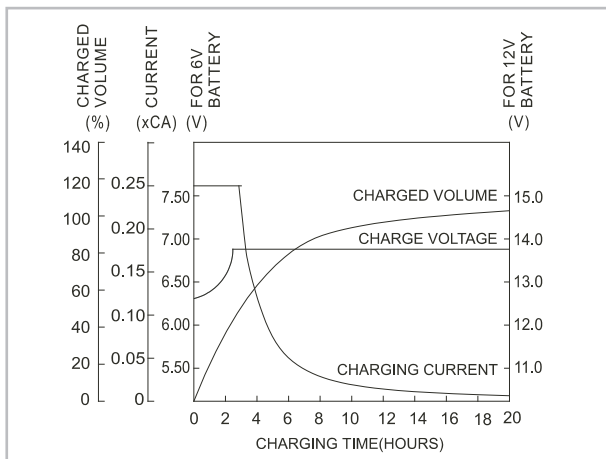
**DISCHARGE DATA (AMPERES AT +25 °C)**

End voltage (V/cell)	5 min	10 min	15 min	30 min	1 h	3 h	5 h	10 h	20 h
1,60	12,9	8,71	6,04	3,66	2,08	0,88	0,61	0,33	0,17
1,65	12,2	8,29	5,77	3,51	2,01	0,85	0,59	0,32	0,16
1,70	11,5	7,86	5,50	3,36	1,92	0,82	0,58	0,32	0,16
1,75	10,1	7,42	5,21	3,20	1,84	0,79	0,56	0,31	0,16
1,80	9,39	6,98	4,92	3,03	1,75	0,75	0,54	0,30	0,16

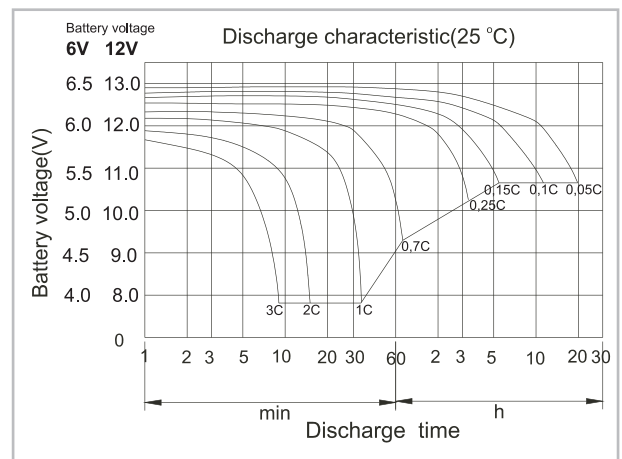
**DISCHARGE DATA (WATTS PER CELL AT +25 °C)**

End voltage (V/cell)	5 min	10 min	15 min	30 min	45 min	1 h	2 h	3 h	5 h
1,60	22,8	15,2	11,7	7,10	5,28	4,06	2,24	1,76	1,21
1,65	21,4	14,3	11,1	6,74	5,04	3,89	2,18	1,72	1,19
1,70	20,0	13,4	10,4	6,38	4,79	3,71	2,10	1,67	1,16
1,75	18,6	12,5	9,79	6,01	4,53	3,53	2,02	1,62	1,14
1,80	17,2	11,7	9,15	5,64	4,26	3,33	1,93	1,57	1,11

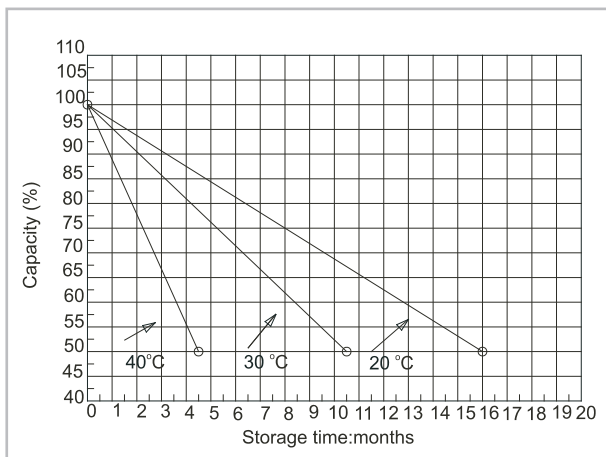
**CHARGE CHARACTERISTIC**



**DISCHARGE CHARACTERISTIC (+25 °C)**



**SELF DISCHARGE**



**STATE OF CHARGE IN RELATION TO VOLTAGE**

