



## DESCRIPTION

The CT Leader range is designed for general purpose applications, such as UPS, alarmsystem, telecom and technical utilities. The batteries comply to Eurobat guide Standard Commercial and have a design life of 3-5 years.

## FEATURES

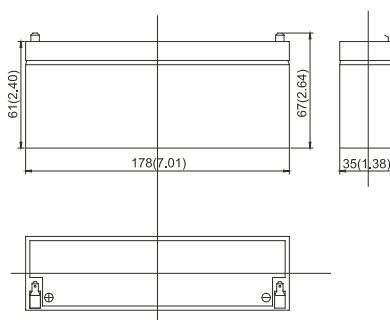
- Valve Regulated Lead Acid Batteries, [AGM].
- Positive and negative plates in lead-calcium alloy.
- Sealed construction
- Maintenance free operation
- 3-5 years design life according to Eurobat Guide - Standard commercial
- Low pressure venting system
- Low selfdischarge
- Six month shelf life at +20° C
- U.L. component recognition
- VdS approved

## SPECIFICATIONS

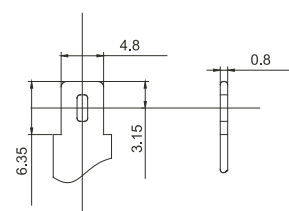
<b>Model</b>	CT2.3-12
<b>Nominal voltage</b>	12 V
<b>Number of cells</b>	6
<b>Nominal capacity +25° C</b>	
20 hour rate (0,115 A - 10,5V)	2,3 Ah
10 hour rate (0,2A - 10,5V)	2 Ah
5 hour rate (0,37 A - 10,5 V)	1,85 Ah
1 hour rate (1,46 A - 9,60V)	1,46 Ah
<b>Internal resistance</b>	60 mOhm
<b>Self discharge</b>	3% of capacity decline per month at +20° C
<b>Operating temperature range</b>	
Discharge	-20 to +60° C
Charge	-10 to +60° C
Storage	-20 to +60° C
<b>Max discharge current (5 sec)</b>	34,5 A
<b>Short circuit current</b>	115 A
<b>Max. charge current</b>	0,92 A
<b>Charging methods at +20° C</b>	
<b>Cycle use</b>	
Constant voltage charge	14,4 - 14,7 V
Temperature compensation	-30 mV/° C
<b>Stand-by use</b>	
Constant voltage charge	13,6 - 13,8 V
Temperature compensation	-20 mV/° C

## DIMENSIONS AND WEIGHT

<b>Length</b>	178 mm
<b>Width</b>	35 mm
<b>Height</b>	61 mm
<b>Total height</b>	67 mm
<b>Weight</b>	0,99 kg



## TERMINAL DIMENSIONS



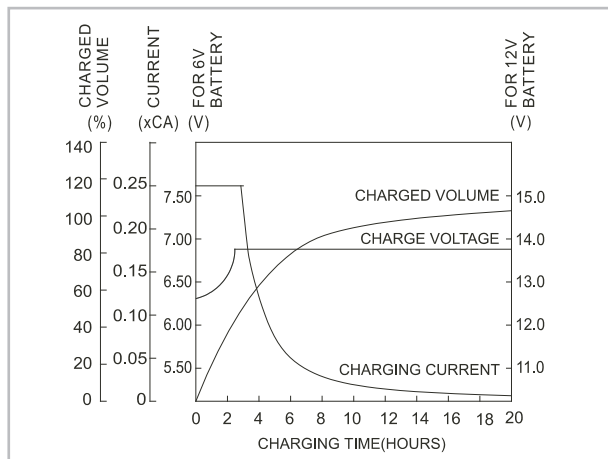
**DISCHARGE DATA (AMPERES AT +25 °C)**

End voltage (V/cell)	5 min	10 min	15 min	30 min	1 h	3 h	5 h	10 h	20 h
1,60	9,00	5,70	4,40	2,50	1,46	0,59	0,41	0,22	0,120
1,65	8,64	5,47	4,27	2,41	1,38	0,57	0,40	0,22	0,120
1,70	8,27	5,23	4,13	2,29	1,29	0,54	0,39	0,21	0,120
1,75	7,89	4,98	3,98	2,16	1,19	0,49	0,37	0,20	0,115
1,80	7,50	4,72	3,82	2,02	1,08	0,45	0,34	0,18	0,103

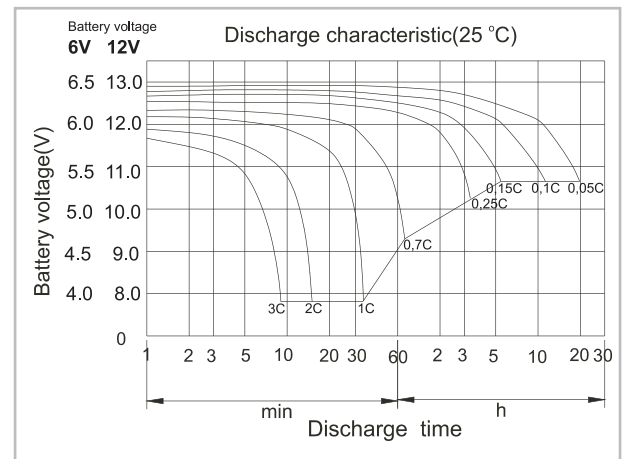
**DISCHARGE DATA (WATTS PER CELL AT +25 °C)**

End voltage (V/cell)	5 min	10 min	15 min	30 min	45 min	1 h	2 h	3 h	5 h
1,60	17,5	11,00	8,50	4,83	3,50	2,78	1,54	1,08	0,75
1,65	16,7	10,50	8,14	4,52	3,38	2,46	1,45	1,04	0,74
1,70	16,0	10,00	7,86	4,28	3,25	2,28	1,35	0,98	0,73
1,75	15,3	9,46	7,56	4,02	3,11	2,09	1,14	0,93	0,71
1,80	14,4	8,94	7,24	3,74	3,00	1,86	1,02	0,84	0,62

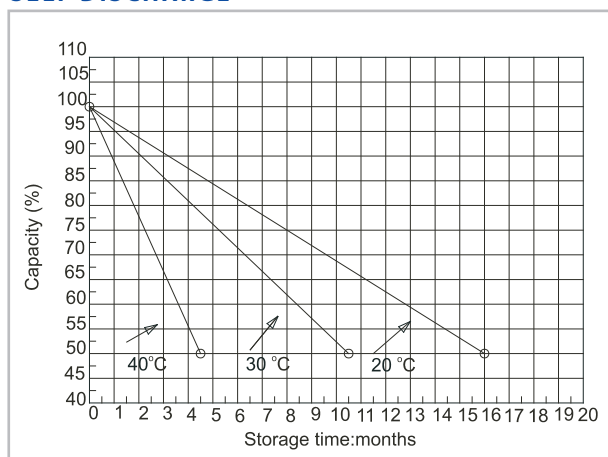
**CHARGE CHARACTERISTIC**



**DISCHARGE CHARACTERISTIC (+25 °C)**



**SELF DISCHARGE**



**STATE OF CHARGE IN RELATION TO VOLTAGE**

