



DESCRIPTION

The CT Leader range is designed for general purpose applications, such as UPS, alarm systems, telecom and technical utilities. With 10 years design life, the batteries comply to the international standards IEC896-2 and BS6290-4 Eurobat guide.

FEATURES

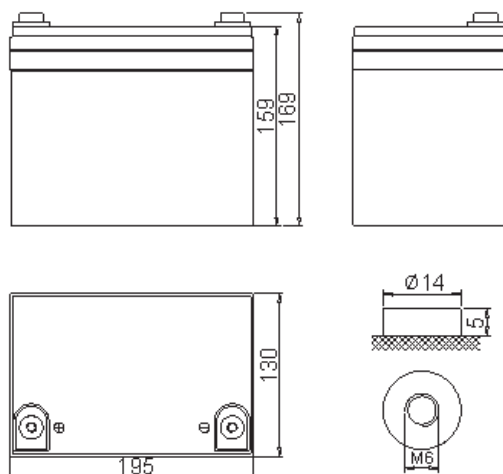
- Valve Regulated Lead Acid Batteries, [AGM].
- Positive and negative plates in lead-calcium alloy.
- Sealed construction
- Maintenance free operation
- 10 years design life according to Eurobat Guide - High Performance.
- Low pressure venting system
- Low selfdischarge
- U.L. component recognition
- Six month shelf life at +20° C

SPECIFICATIONS

Model	CT33-12
Nominal voltage	12 V
Number of cells	6
Nominal capacity +25° C	
20 hour rate (1,65 A - 10,5V)	33 Ah
10 hour rate (3,2A - 10,5V)	32Ah
5 hour rate (5,8 A - 10,5 V)	29,1 Ah
1 hour rate (21,6 A - 9,60V)	21,6 Ah
Internal resistance	10 mOhm
Self discharge	3% of capacity decline per month at +20° C
Operating temperature range	
Discharge	-20 to +60° C
Charge	-10 to +60° C
Storage	-20 to +60° C
Max discharge current (5 sec)	330 A
Short circuit current	850A
Max. charge current	9,9 A
Charging methods at +20° C	
Cycle use	
Constant voltage charge	14,4 - 14,7 V
Temperature compensation	-30 mV/° C
Stand-by use	
Constant voltage charge	13,6 - 13,8 V
Temperature compensation	-20 mV/° C

DIMENSIONS AND WEIGHT

Length	195 mm
Width	130 mm
Height	159 mm
Total height	169 mm
Weight	10,2 kg



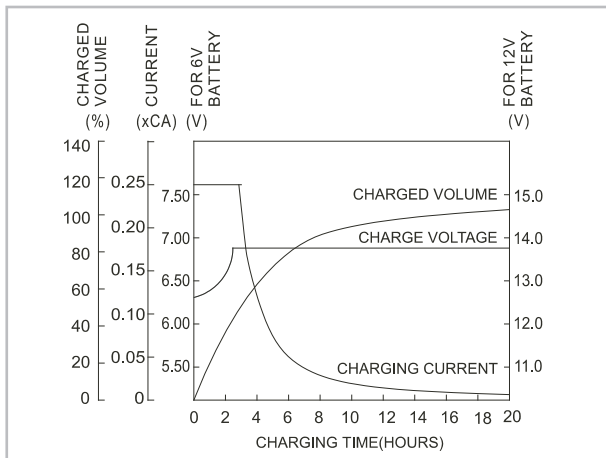
DISCHARGE DATA (AMPERES AT +25 °C)

End voltage (V/cell)	5 min	10 min	15 min	30 min	1 h	3 h	5 h	10 h	20 h
1,60	115	79,9	57,7	34,4	21,6	9,08	6,10	3,30	1,70
1,65	109	70,2	54,8	33,3	21,4	8,89	6,04	3,30	1,70
1,70	101	66,5	52,6	32,3	21,1	8,70	5,93	3,25	1,70
1,75	93,4	62,8	49,7	31,2	20,8	8,50	5,82	3,20	1,65
1,80	86,2	59,1	47,6	30,9	20,5	8,31	5,68	3,15	1,60

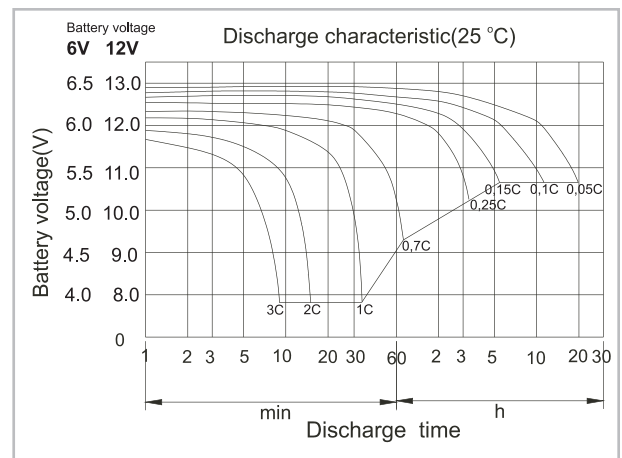
DISCHARGE DATA (WATTS PER CELL AT +25 °C)

End voltage (V/cell)	5 min	10 min	15 min	30 min	45 min	1 h	2 h	3 h	5 h
1,60	215	150	112	71,8	53,6	43,7	24,2	17,7	11,7
1,65	200	142	108	69,6	52,5	43,0	23,2	17,5	11,6
1,70	185	133	103	67,5	51,4	42,3	22,4	17,3	11,5
1,75	170	125	99,2	65,3	50,4	41,5	21,5	17,0	11,4
1,80	160	116	95,0	63,0	49,3	40,8	22,4	16,8	11,4

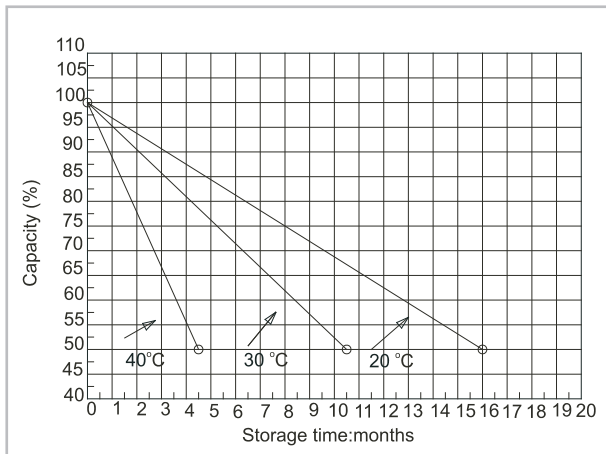
CHARGE CHARACTERISTIC



DISCHARGE CHARACTERISTIC (+25 °C)



SELF DISCHARGE



STATE OF CHARGE IN RELATION TO VOLTAGE

