

MODEL **S-1275 with Master Vent**
 VOLTAGE **12V**
 CAPACITY **145Ah @ 20Hr**
 MATERIAL **Polypropylene**
 BATTERY **Deep-Cycle Flooded/Wet Lead-Acid Battery**
 COLOR **Black**
 WATERING **HydroLink™ Watering System**



12V Silver Line

PRODUCT + PHYSICAL SPECIFICATIONS

| Model | Terminal Type [£] | Dimensions [¢] Inches (mm) | | | Weight Lbs. [£] (kg) | Handles | Installation Orientation |
|--------|----------------------------|-------------------------------------|------------|---------------------|-------------------------------|--------------------------|--------------------------|
| | | Length | Width | Height ^D | | | |
| S-1275 | 1 | 12.96 (329) | 7.13 (181) | 10.71 (272) | 78 (35) | Embedded Handle Brackets | Upright |

ELECTRICAL SPECIFICATIONS

| Voltage | Capacity ^A Minutes | | | Capacity ^B Amp-Hours (Ah) | | | | Energy (kWh) | Internal Resistance (mΩ) | Short Circuit Current (amps) |
|---------|-------------------------------|-----------|-----------|--------------------------------------|-------|-------|--------|--------------|--------------------------|------------------------------|
| | @ 25 Amps | @ 56 Amps | @ 75 Amps | 5-Hr | 10-Hr | 20-Hr | 100-Hr | | | |
| 12V | 260 | 90 | 60 | 113 | 126 | 145 | 155 | 1.74 | — | — |

CHARGING INSTRUCTIONS

| Charger Voltage Settings (at 77°F/25°C) | | | | |
|---|-------|-------|-------|-------|
| System Voltage | 12V | 24V | 36V | 48V |
| Bulk Charge | 14.82 | 29.64 | 44.46 | 59.28 |
| Float Charge | 13.50 | 27.00 | 40.50 | 54.00 |
| Equalize Charge | 16.20 | 32.40 | 48.60 | 64.80 |

Do not install or charge batteries in a sealed or non-ventilated compartment. Constant under or overcharging will damage the battery and shorten its life as with any battery.

CHARGING TEMPERATURE COMPENSATION

| Add | Subtract |
|---|---|
| 0.005 volt per cell for every 1°C below 25°C 0.0028 volt per cell for every 1°F below 77°F | 0.005 volt per cell for every 1°C above 25°C 0.0028 volt per cell for every 1°F above 77°F |

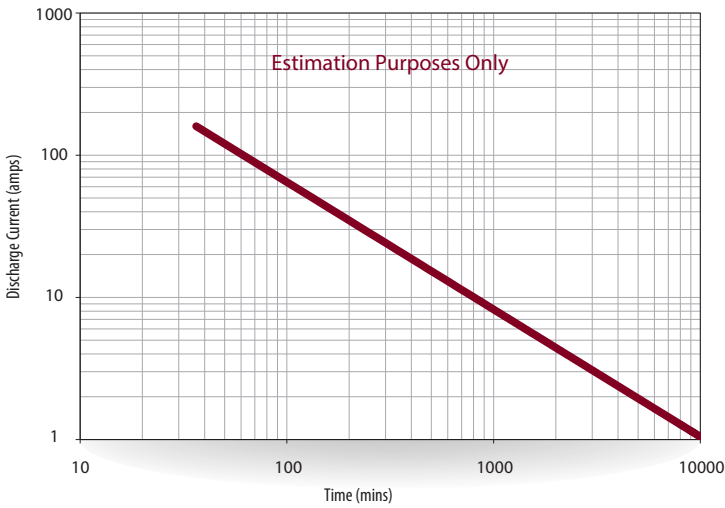
OPERATIONAL DATA

| Operating Temperature | Self Discharge |
|---|--|
| -4°F to 113°F (-20°C to +45°C). At temperatures below 32°F (0°C) maintain a state of charge greater than 60%. | 5 – 15% per month depending on storage temperature conditions. |

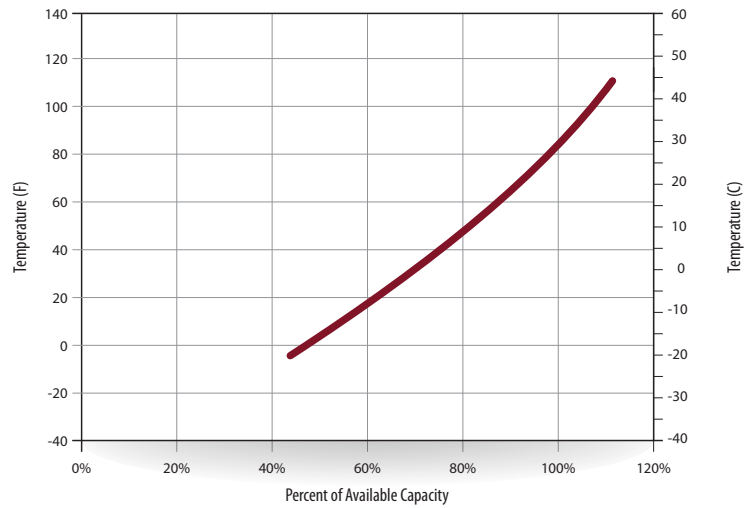
STATE OF CHARGE MEASURE OF OPEN-CIRCUIT VOLTAGE

| Percentage Charge | Specific Gravity | Cell | 12 Volt |
|-------------------|------------------|-------|---------|
| 100 | 1.277 | 2.122 | 12.73 |
| 90 | 1.258 | 2.103 | 12.62 |
| 80 | 1.238 | 2.083 | 12.50 |
| 70 | 1.217 | 2.062 | 12.37 |
| 60 | 1.195 | 2.040 | 12.24 |
| 50 | 1.172 | 2.017 | 12.10 |
| 40 | 1.148 | 1.993 | 11.96 |
| 30 | 1.124 | 1.969 | 11.81 |
| 20 | 1.098 | 1.943 | 11.66 |
| 10 | 1.073 | 1.918 | 11.51 |

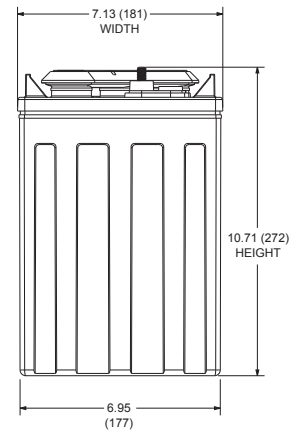
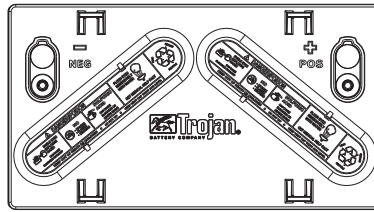
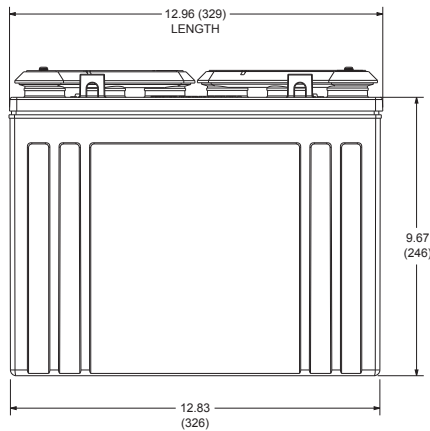
TROJAN S-1275 PERFORMANCE




PERCENT CAPACITY VS. TEMPERATURE



BATTERY DIMENSIONS (shown with ELPT)



TERMINAL CONFIGURATIONS^E

| 1 | ELPT | Embedded Low Profile Terminal |
|---|------|-------------------------------|
|  | | |
| Terminal Height Inches (mm) 1.22 (31) | | |
| Torque Values in-lb (Nm) 95 – 105 (11 – 12) | | |
| Bolt 5/16" - 18 | | |

- A. The number of minutes a battery can deliver when discharged at a constant rate at 80°F (27°C) and maintain a voltage above 1.75 V/cell. Capacities are based on peak performance.
- B. The amount of amp-hours (Ah) a battery can deliver when discharged at a constant rate at 80°F (27°C) and maintain a voltage above 1.75 V/cell. Capacities are based on peak performance.

- C. Dimensions may vary depending on type of handle or terminal. Batteries should be mounted with 0.5 inches (12.7 mm) spacing minimum.
- D. Height taken from bottom of the battery to the highest point on the battery. Heights may vary depending on type of terminal.
- E. Terminal images are representative only.
- F. Weight may vary.